



Captair 632 Smart

Ductless filtering fume hoods

Safer to operate

- Exclusive Erlab filtration technology combining activated carbon and HEPA/ULPA to adapt to the manipulation
- Meets AFNOR NFX 15 211/ANSI Z9.5-2012 filtration efficiency standard (class 1 and 2)
- Real time sensors to detect main filter saturation with solvents, acids or formaldehyde
- Safety filter in case of main filter saturation
- Air face velocity permanent monitoring
- Erlab Safety Program: application analysis and validation, usage framework certification, usage follow-up
- Connected device allowing reception of safety notifications and use status

Simpler to use

Real time status communication by light and sound pulses:

- Air face velocity decrease
- Main filter saturation
- Fan failure
- Excess scheduled working time

Flexibility

- Modular filtration column adapting to application changes
- Easy and fast relocation

Savings

- No ductwork cost
- Annual energy cost < 100
- Compared to an extraction fume cupboard, energy savings compensate filter replacement cost

Environment

- No chemical release into the atmosphere
- Low energy consumption



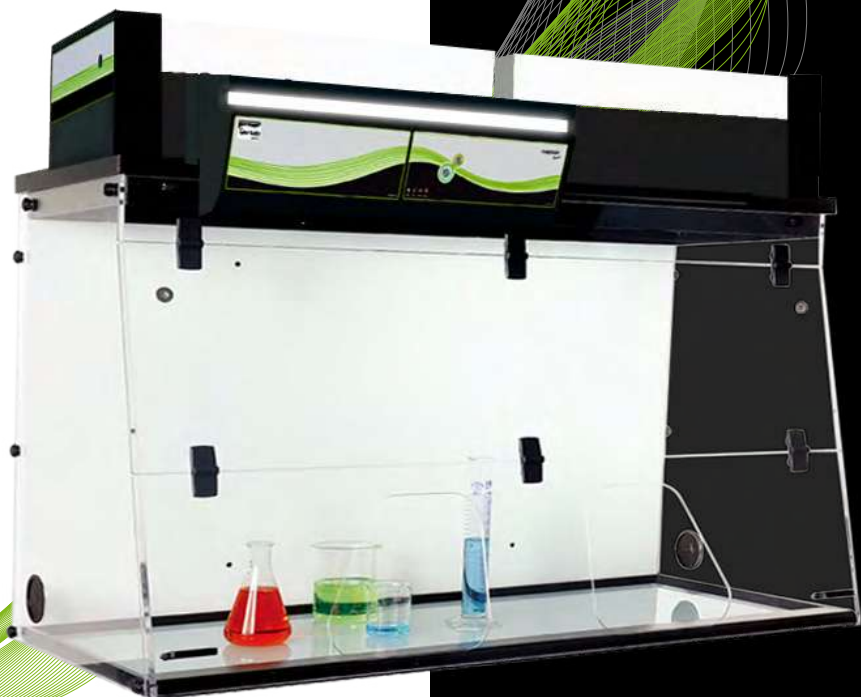
Ask for the highest level of filtration performances



Powerful light guided communication



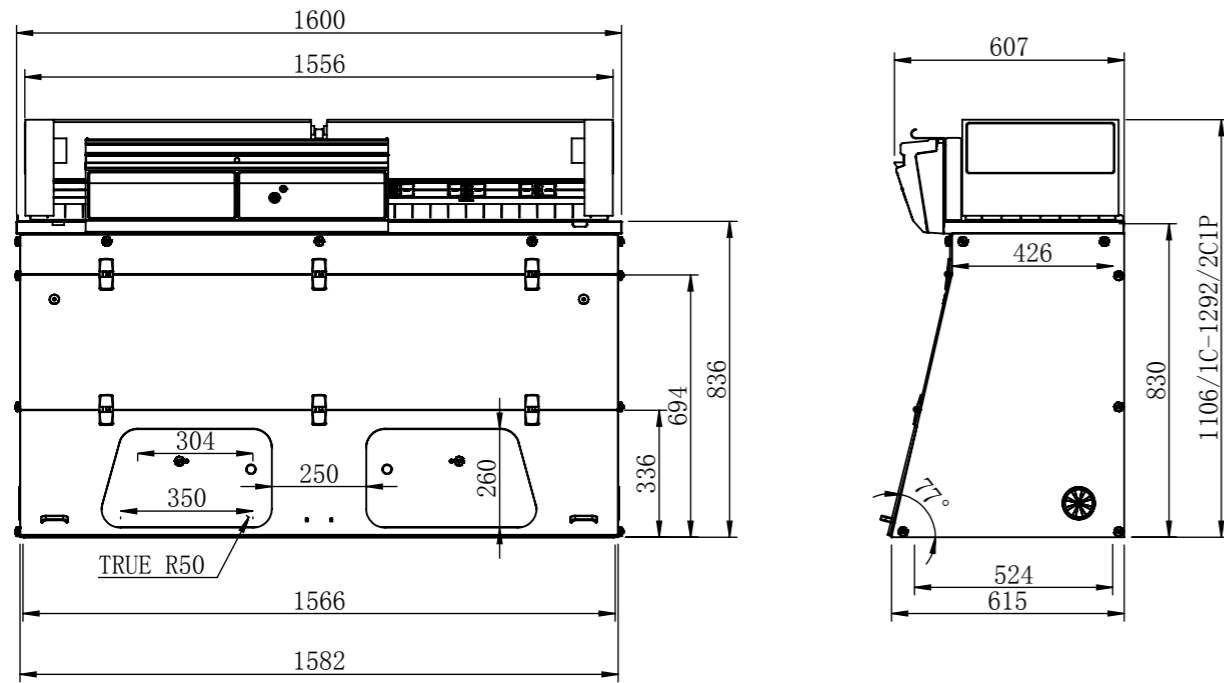
Connect your equipment and benefit from the remote access thanks to our mobile solutions



Download our
eGuard application

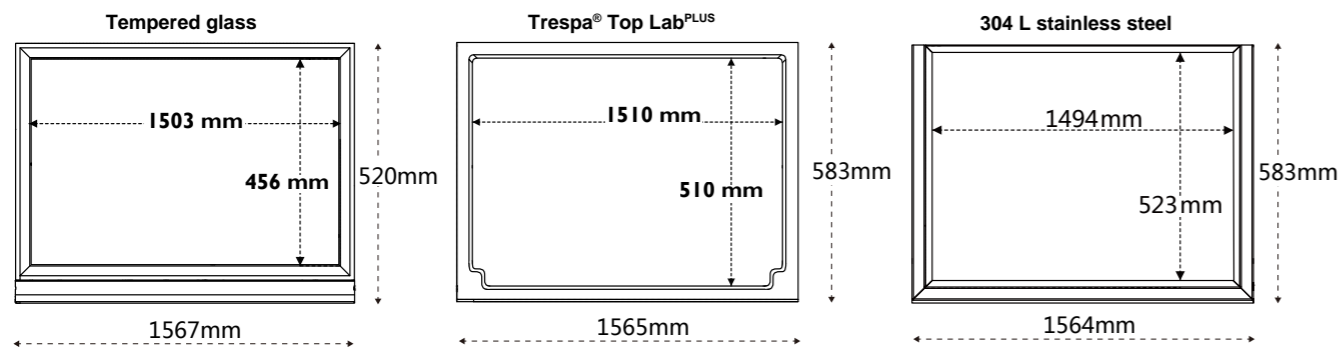


Dimensions(mm)

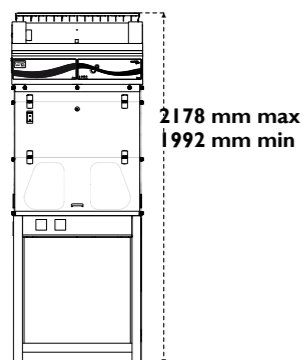


Heights according to the filtration column configuration		
Type 1C or 1P	1106 mm	Please add 150mm between the last filter and the ceiling to allow a good air recirculation and to replace filters easily
Type 2C or 1P1C or 1C1P	1205 mm	
Type 1P2C or 1P1C1P	1292 mm	

Work surfaces with built in spill tray



Benchcap: fixed work bench



Modular design of the filtration column allows to adapt to every protection needs

		Products handled / Applications			
		Liquid chemicals handlings	Powders handlings	Liquid chemicals and powders handlings	Liquid chemicals handlings in clean room
Customized filtration column	Class 1 according to the NF X 15-211		NA		
	Class 2 according to the NF X 15-211				

Available filters :

- C** Carbon filtration for gases and vapours
AS:For organic vapours
BE+:Polyvalent for acid + organic vapours
F:For formaldehyde vapours
K:For ammonia vapours
- P** Particulate filtration for powders
HEPA H14:99.995 % efficiency filtration of particles over 0.1 µm in size
ULPA U17:99.999995 % efficiency filtration of particles over 0.1 µm in size
- V** Ventilation
- Molecode**
Automatic alarm to detect filter saturation

Safety Standards	AFNOR NF X 15-211:2009: France - BS 7989: England DIN 12 927:Germany - EN 1822:1998 (HEPA H14 & ULPA U17 Filters) - CE Marking
Air Flow	440 m ³ /h
Air Face Velocity	0.4 to 0.6 m/s
Voltage/Frequency	100-240 V / 50-60 Hz
Power consumption/Max. amperage absorbed	125 W / 1.25A
Sash openings	Ergonomic oblong holes
Structure	Corrosion resistant electro-galvanized steel coated with anti-acid polymer
Side and front panels	Chemical resistant acrylic
Filtration module	Polypropylene

Equipment

Communication interface	Simple communication by audible and light pulses: unit running time, air face velocity, automatic filter saturation detection, ventilation settings, fan failure alarm
Filtration technology	2 columns that can be configured to handle liquids, powders, or both
Carbon filtration for gases and vapours	Following filtration column configuration (see table above)
Particulate filtration for powders	Following filtration column configuration (see table above)
eGuard	APP for remote control to monitor the hood, change the settings, and deliver safety alerts immediately to your devices (mobile, tablet and PC)
Internal lighting	LED lighting 650 Lux
Anemometer	Air face velocity alarm
Chemical Listing	List of approved chemicals

Accessories

Work Surfaces	Tempered glass / Trespa® Top Lab PLUS / 304 L Stainless steel
Molecode	Detection sensor for : Type S, for solvents / Type A, for acids / Type F, for formaldehydes
Benches	Fixed (Benchcap)
Bench equipment	Technical gases outlets, water outlets, front control valves, sink, power sockets (Only compatible with Trespa® Top Lab PLUS worktop and fixed bench)
Particulate Pre-filter	Protects the main filter(s) from dust
Transparent Back Panel	Clear acrylic panel for easy viewing



Erlab R&D laboratory

Erlab

Our mission: guarantee your protection in the lab

Erlab invented the first filtration fume hood in 1968. 45 years of expertise in chemicals filtration enable us to guarantee your protection throughout the following aspects:

1 R&D laboratory

A worldwide unique lab as a warrant to Erlab expertise in filtration. Erlab innovates constantly to design highest level of chemical protection technologies.

2 Safety standards

Our products performances are certified by compliance with the AFNOR NF X 15 211 standard.

3 Independent tests

Our filtration technology has been tested multiple times by an independent laboratory according to AFNOR NF X 15 211 requirements. Results prove filters efficiency to maintain concentration in recirculated air at lower than 1% of tested chemicals TLV.

4 Chemical listing

Our unique know-how enable us to communicate on our filters retention capacities over 700 chemicals, following AFNOR NF X 15 211 requirements.

5 Erlab Safety Program

Our safety program is the warrant of your protection at all stages: any project begins with an application analysis to allow our lab to recommend the suitable solution. All installed equipments are then followed-up to guarantee the highest level of protection over time.

6 Our questionnaire

Allows our lab specialists to recommend adapted filtration fume hood, filter type and predictive life-time, such as personalised assessment.

7 We make your fume hood uses a commitment

Our laboratory provides a usage certificate for each fume hood, in compliance with AFNOR NF X 15 211 requirements.

France
+33 (0) 2 32 09 55 80 | ventes@erlab.net

USA
+1 800-964-4434 | captairsales@erlab.com

China
+86 (0) 512 5781 4085 | sales.china@erlab.com.cn

Malaysia
+60 (0) 7 3 555 724 | erlab@erlab.com.my

Germany
0800 330 47 31 | verkauf@erlab.net

United-Kingdom
+44 (0) 1722 341 940 | salesuk@erlab.net

Italy
+39 (0) 2 89 00 771 | vendite@erlab.net

Spain
+34 93 673 24 74 | ventas@erlab.net

